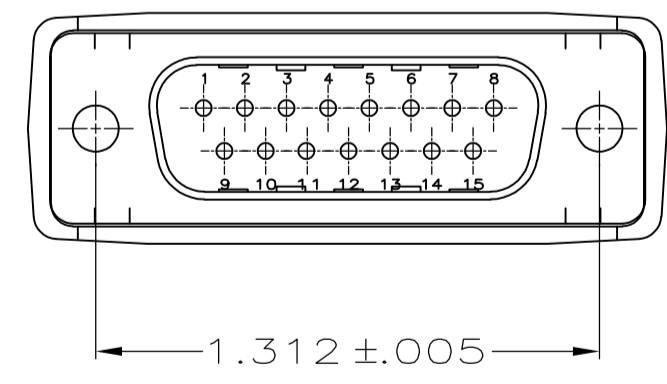
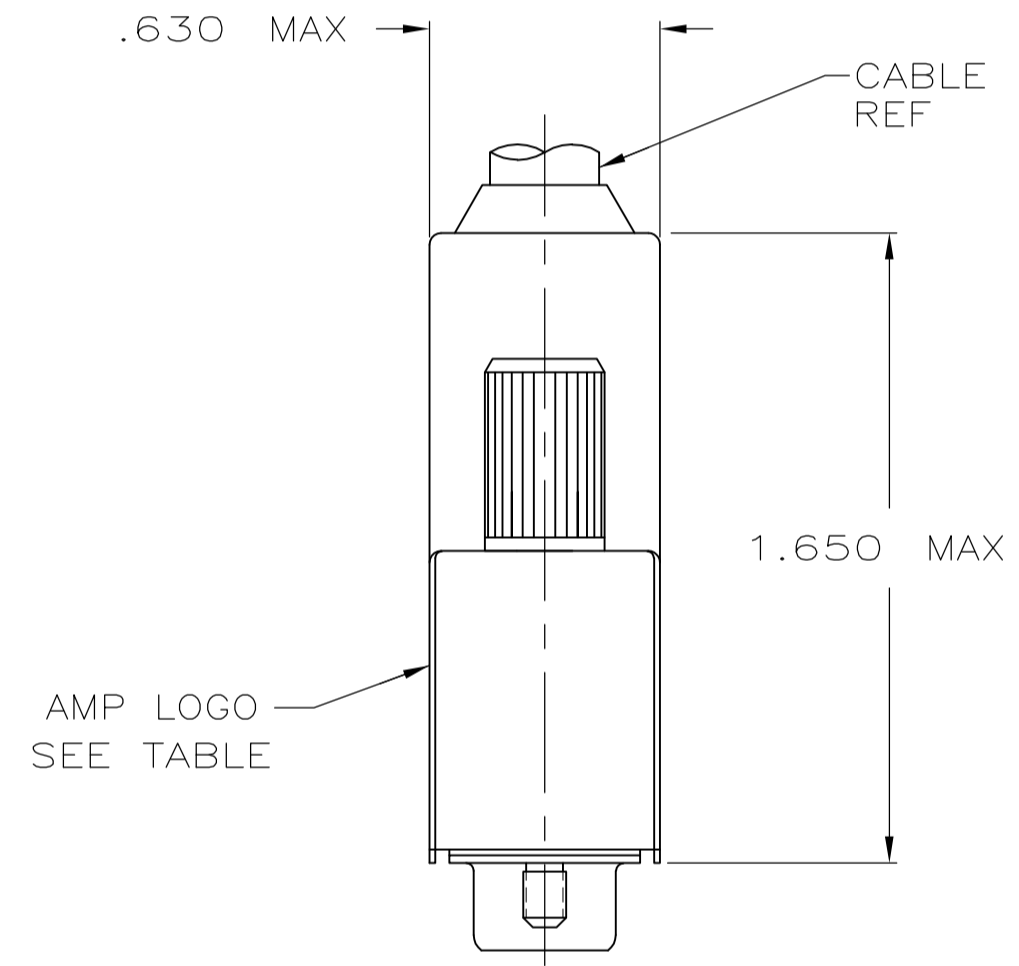
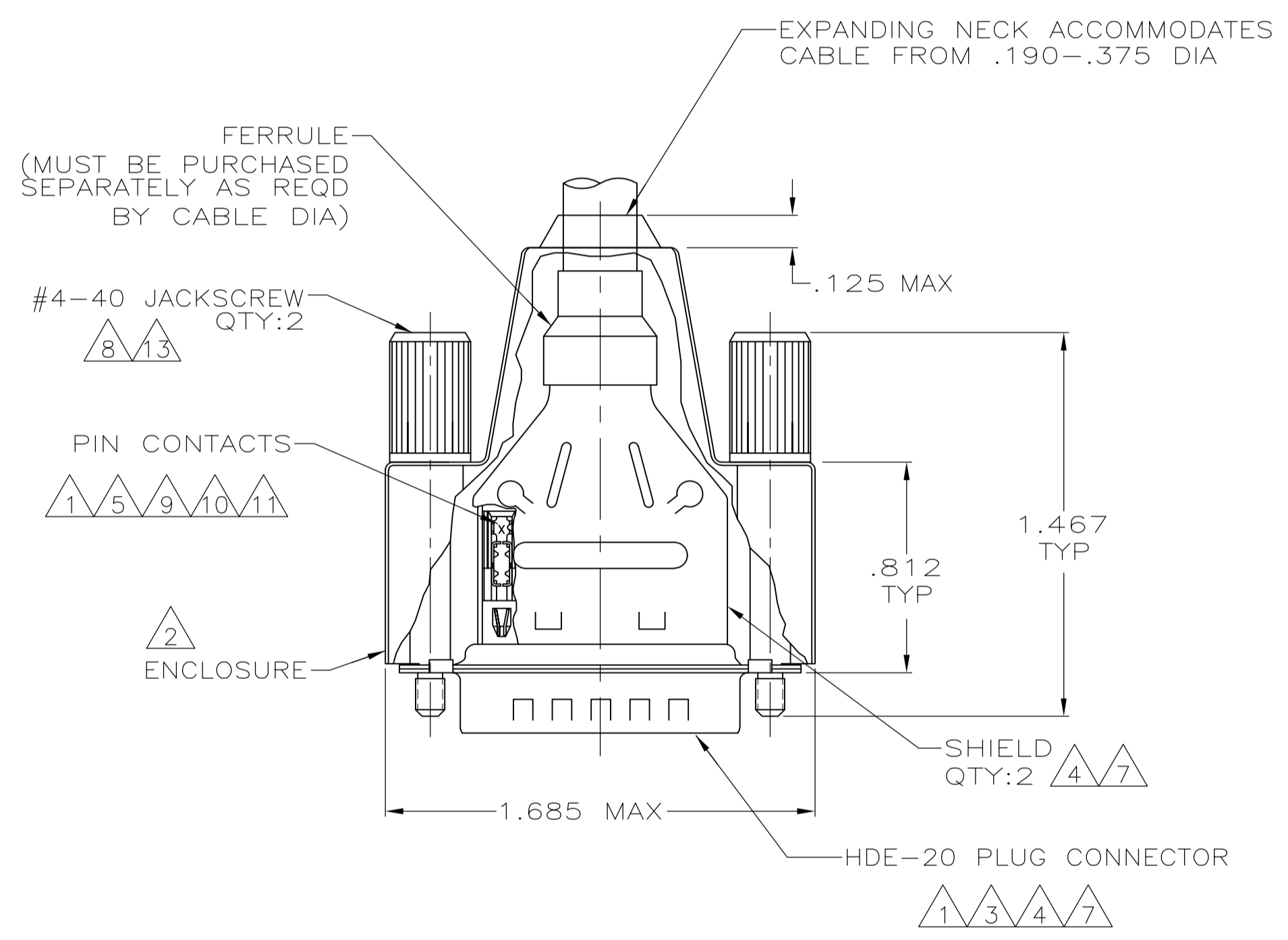


- 1 PLUG CONNECTOR FULLY LOADED WITH CONTACTS. ALL OTHER PARTS ARE SHIPPED UNASSEMBLED. EACH PART INDIVIDUALLY BULK PACKED.
- 2 FLAME RETARDANT 94V-0 RATED, POLYOLEFIN OR PVC, BLACK.
- 3 FLAME RETARDANT 94V-0 RATED, GLASS-FILLED, NYLON OR POLYESTER, BLACK.
- 4 STEEL PER ASTM A109.
- 5 PHOSPHOR BRONZE PER QQ-B-750.
- 6 GOLD PLATING PER MIL-G-45204, NICKEL PLATING PER QQ-N-290, TIN PLATING PER MIL-T-10727, ZINC PLATING PER B633, TYPE II, CLASS SCI, BLACK CHROMATE.
- 7 TIN PLATED.
- 8 ZINC NICKEL, TRIVALENT BLACK.
- 9 GOLD PLATED FOR LENGTH OF .150 MIN FROM MATING END, GOLD FLASH IN MATED AREA. .000100-.000200 TIN OR IN TIN-LEAD IN WIRE TERMINATION AREA. .000030 NICKEL UNDERPLATE ON ENTIRE CONTACT.
- 10 CONTACTS GOLD PLATED FOR A LENGTH OF .150 MIN FROM MATING END, .000030 MIN GOLD IN MATED AREA, .000100-.000200 BRIGHT TIN OR BRIGHT TIN-LEAD IN WIRE TERMINATION AREA, ALL OVER .000050 MIN NICKEL UNDERPLATE ON ENTIRE CONTACT.  
OR  
CONTACTS GOLD PLATED FOR A LENGTH OF .150 MIN FROM MATING END, GOLD FLASH OVER .000030 MIN PALLADIUM-NICKEL IN MATED AREA, .000100-.000200 BRIGHT TIN OR BRIGHT TIN-LEAD IN WIRE TERMINATION AREA, ALL OVER .000050 MIN NICKEL UNDERPLATE ON ENTIRE CONTACT.
- 11 NUMBER ON CONTACT INDICATES WIRE RANGE.
- 12 OBSOLETE PART NUMBER.
- 13 CARBON STEEL, C1022.
- 14 CONTACTS SELECTIVELY LOADED IN POSITIONS 2,3,5,6,9,10,12, & 13.
- 15 CONTACTS GOLD PLATED FOR A LENGTH OF .150 MIN FROM MATING END, .000030 MIN GOLD IN MATED AREA, .000100-.000200 MATTE TIN IN WIRE TERMINATION AREA, ALL OVER .000050 MIN NICKEL UNDERPLATE ON ENTIRE CONTACT.  
OR  
CONTACTS GOLD PLATED FOR A LENGTH OF .150 MIN FROM MATING END, GOLD FLASH OVER PALLADIUM-NICKEL, .000030 MIN TOTAL IN MATED AREA, .000100-.000200 MATTE TIN IN WIRE TERMINATION AREA, ALL OVER .000050 MIN NICKEL UNDERPLATE ON ENTIRE CONTACT.
- 16 CONTACTS PLATED GOLD FLASH FOR A LENGTH OF .150 MIN FROM MATING END, .000100-.000200 MATTE TIN IN WIRE TERMINATION AREA, ALL OVER .000030 MIN NICKEL UNDERPLATE ON ENTIRE CONTACT.



				9-747946-1
16	YES	2	22-26	1-747946-6
15	YES	2	22-26	1-747946-5
9	YES	2	22-26	1-747946-4
9	NO	3	20-22	1-747946-2
	NO	2	22-26	1-747946-1
	NO	1	26-30	1-747946-0
10	NO	3	20-22	747946-9
	NO	2	22-26	747946-8
	NO	1	26-30	747946-7
9	YES	3	20-22	747946-6
	YES	2	22-26	747946-5
	YES	1	26-30	747946-4
10	YES	3	20-22	747946-3
	YES	2	22-26	747946-2
	YES	1	26-30	747946-1
CONTACT FINISH	LOGO	11	WIRE RANGE	PART NUMBER

THIS DRAWING IS A CONTROLLED DOCUMENT.

DIMENSIONS: INCHES	TOLERANCES UNLESS OTHERWISE SPECIFIED:	0 PLC ± -	1 PLC ± -	2 PLC ± -	3 PLC ± .020	4 PLC ± -	ANGLES ± -
MATERIAL		FINISH		CONTACTS: SEE TABLE		REV	

DESIGNED BY: L. VAREAL	DATE: 11-17-04	APPROVED BY: J. GERACE	DATE: 11-17-04
APPROVED BY: M. WALMSLEY	DATE: 11-17-04	NAME:	
PRODUCT SPEC: 108-40011 & 108-40030	APPLICATION SPEC: 114-40002	SIZE: A1	CAGE CODE: 00779
WEIGHT: -	DRAWING NO: 747946	SCALE: 1:1	SHEET 1 OF 1

**STE** TE Connectivity

SHIELDING ENCLOSURE KIT, PLUG, SIZE 2, 15 POSN, AMPLIMITE HDE-20

CUSTOMER DRAWING